

# LED CABINET DOWNLIGHT, SQUARE

MODEL: MLLS1540CH (CHROME) / MLLS1540W (WHITE)

## INSTRUCTIONS FOR EXPLOITATION

THE INSTALLATION SHOULD BE DONE BY A QUALIFIED ELECTRICIAN ACCORDING TO THE INSTRUCTION. PLEASE, KEEP THE INSTRUCTION.

### TECHNICAL SPECIFICATIONS

Voltage: .....	12 V DC
Power: .....	1.5 W
Rated Luminous Flux: .....	100 lm
Colour Temperature: .....	4000 K
Beam angle: .....	120°
IP rate: .....	IP20

### SAFETY INSTRUCTIONS

- Performing any activity with the power supply on constitutes potential hazard of electric shock. Prior to mounting, power supply must be switched off by using the main switch.
- The fixture, when properly assembled, may only be connected to a properly functioning electrical system with compliance with the applicable standards.
- All conductors and fitting auxiliary components are to be placed on appropriate distance from the heating parts of the fitting. When choosing the place for mounting, the required minimum distance must be kept between the fitting and the lightened objects
- The light fixture heat itself while working, so in case of necessity prior to undertaking its replacement, wait until cool down.
- Do not cover the fixture. To avoid any fire hazard, provide unrestricted air flow to the heated fitting parts.
- The importer/supplier bears no responsibility for damages resulting from failure to comply with these instructions.

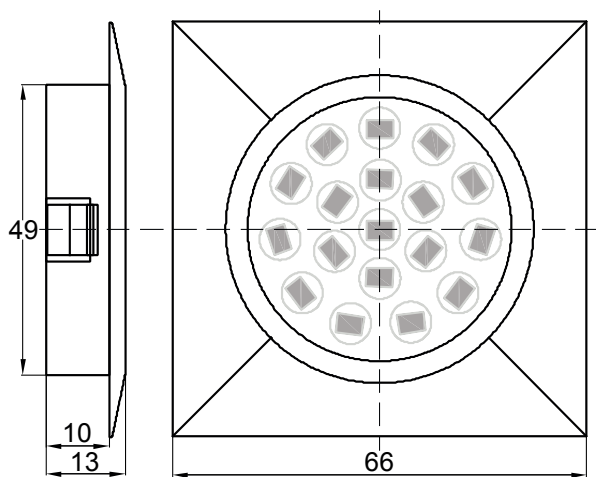
### INSTALLATION

#### BUILDING IN:

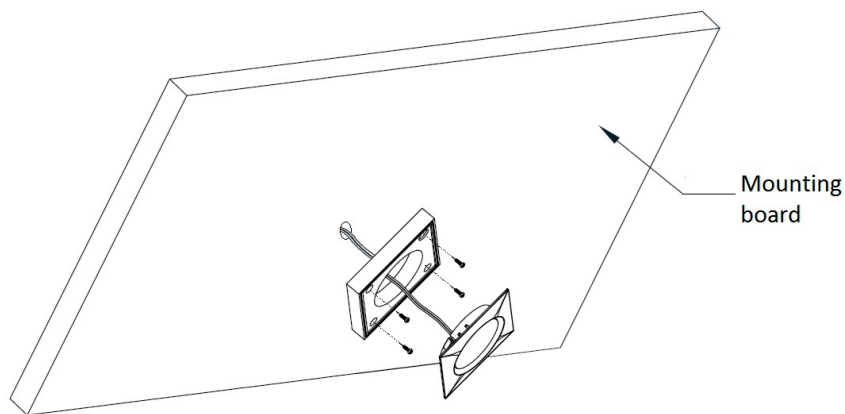
1. Drill a Ø55 mm mounting hole.
2. Connect the spotlight to the LED power supply via the connector.
3. Place the spotlight in the mounting hole.

#### SURFACE MOUNTING (VIA MOUNTING FRAME):

1. Mount the frame to the desired location using appropriate fasteners.
2. Drill an Ø8 mm opening for the spotlight wire.
3. Connect the spotlight to the LED power supply via the connector.
4. Place the spotlight in the mounting frame.
5. You can use a dimmer to adjust the brightness.



Dimensions



Surface mounting with frame

### TAKING CARE OF THE NATURAL ENVIRONMENT CLEANLINESS

The product and its components are not harmful to the environment.

Please dispose the package elements separately in containers for the corresponding material.

Please dispose the broken product separately in containers for out of usage electrical equipment.

